



Product Catalogue
Respiratory & Anaesthesia

CONTENTS

	PAGE
ABOUT US	1
OXYGEN THERAPY	2
BREATHING SYSTEMS	3-6
BREATHING FILTERS AND HMEFs	7
ACCESSORIES	8-10
PRODUCT IMAGES	11

ABOUT US

Forca Healthcare is a company that designs and manufactures a wide range of high-quality medical devices. The company has a strong commitment towards research and development. Its core business, namely, innovation and manufacturing of medical devices, is carried out in close collaboration with academia, health care professionals and patients. The process facilitates taking ideas to manufacturable products.

The company understands the changing and challenging clinical environments and needs of customers and their patients. Its goal is to provide the best possible solutions through medical devices developed with attention to detail, user friendliness and simplicity.

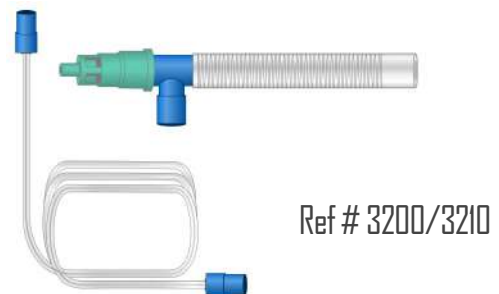
This catalogue contains details of a limited range of products specifically designed to assist in the treatment and management of patients requiring respiratory support.

For any further information visit www.forca-healthcare.com.

OXYGEN THERAPY

An extensive range of products for variable and fixed concentration oxygen therapy. They are made from high quality materials which results in a soft, clear finish for greater patient comfort and easy monitoring of patient condition.

Masks are designed with contours that provide an improved seal. They include adjustable nose clip and elastic braid for better fitting. All tubing included in the range is kink-resistant and fit standard oxygen tubing connectors.



MEDIUM CONCENTRATION OXYGEN MASK (ADULT)

Mask with nose clip, 2 m oxygen tube Ref # 3120

HIGH CONCENTRATION OXYGEN MASK (ADULT)

Mask with nose clip, 0.6L reservoir bag and 2 m oxygen tube Ref # 3150

VENTURI MASK KIT (ADULT)

Mask with nose clip, 6 colour coded venturi valves, 15 cm corrugated tube, humidification cup, 2 m oxygen tube Ref # 3140

OXYGEN RECOVERY T-PIECE KIT (ADULT)

T-piece, expiratory tube, 40 % venturi valve Ref # 3200

T-piece, expiratory tube, 60 % venturi valve Ref # 3210

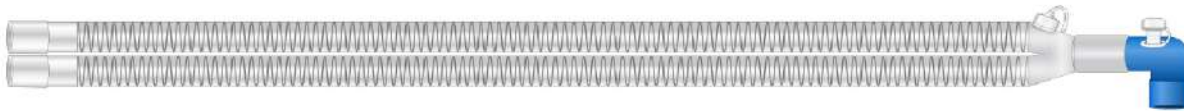
BREATHING SYSTEMS

A wide variety of breathing systems for anaesthesia or ventilation system. They are designed keeping in mind reliability, convenience and safety.

The breathing systems feature connectors that prevent leaks and disconnections to ensure integrity of the entire anaesthesia or ventilation system. The breathing systems are made of bio-compatible and lightweight materials.

A. STANDARD BREATHING SYSTEM

Breathing systems for passive humidification.



Ref # 1140A/1240

STANDARD BREATHING SYSTEM (ADULT)

22 mm diameter tube, two limbs, 1.5 m length, Y-piece, 4.3 mm Luer port on elbow,
7.3 mm Luer port on Y-piece

Ref # 1140A

STANDARD BREATHING SYSTEM (PAEDIATRIC)

15 mm diameter tube, two limbs, 1.5 m length, Y-piece, 4.3 mm Luer port on elbow,
7.3 mm Luer port on Y-piece

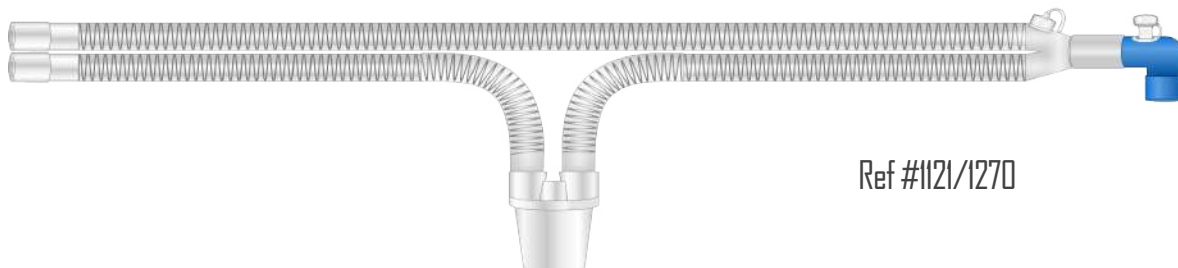
Ref # 1240

B. BREATHING SYSTEMS WITH SINGLE WATER TRAP

Breathing systems with a single water trap for use with a variety of water bath humidifiers that do not require heated wire breathing systems.



Ref #1120A/1220



Ref #1121/1270

BREATHING SYSTEM WITH SINGLE WATER TRAP (ADULT)

22 mm diameter tube, two limbs, 1.5 m length, one water trap, Y-piece, 4.3 mm Luer port on elbow, 7.3 mm Luer port on Y-piece Ref # 1120A

BREATHING SYSTEM WITH SINGLE WATER TRAP (PAEDIATRIC)

15 mm diameter tube, two limbs, 1.5 m length, one water trap, Y-piece, 4.3 mm Luer port on elbow, 7.3 mm Luer port on Y-piece Ref # 1220

BREATHING SYSTEM WITH SINGLE WATER TRAP + LIMB (ADULT)

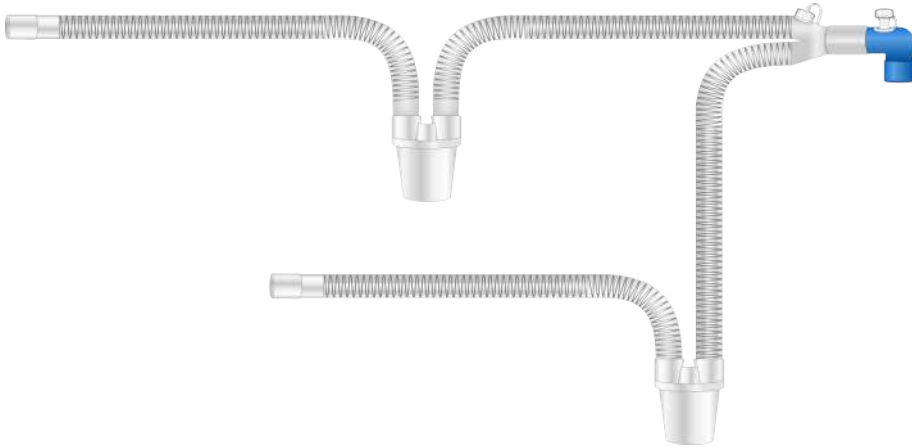
22 mm diameter tube, two limbs, 1.5 m length, one water trap, Y-piece, 4.3 mm Luer port on elbow, 7.3 mm Luer port on Y-piece, 0.8 m limb Ref # 1121

BREATHING SYSTEM WITH SINGLE WATER TRAP + LIMB (PAEDIATRIC)

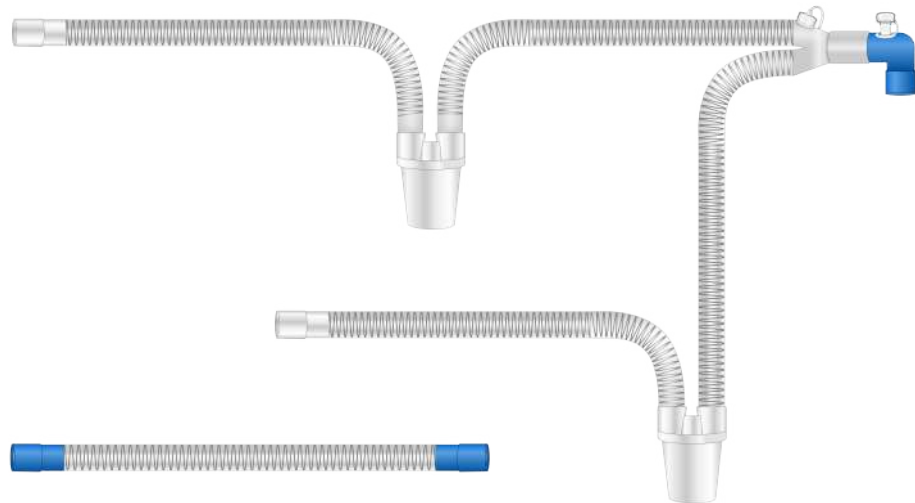
15 mm diameter tube, two limbs, 1.5 m length, one water trap, Y-piece, 4.3 mm Luer port on elbow, 7.3 mm Luer port on Y-piece, 0.8 m limb Ref # 1270

C. BREATHING SYSTEMS WITH DOUBLE WATER TRAPS

Breathing systems with double water traps for use with a variety of water bath humidifiers that do not require heated wire breathing systems.



Ref #1130A/1230



Ref #1122/1260

BREATHING SYSTEM WITH DOUBLE WATER TRAPS (ADULT)

22 mm diameter tube, two limbs, 1.5 m length, two water traps, Y-piece, 4.3 mm Luer port on elbow, 7.3 mm Luer port on Y-piece

Ref # 1130A

BREATHING SYSTEM WITH DOUBLE TRAPS (PAEDIATRIC)

15 mm diameter tube, two limbs, 1.5 m length, two water traps, Y-piece, 4.3 mm Luer port on elbow, 7.3 mm Luer port on Y-piece

Ref # 1230

BREATHING SYSTEM WITH DOUBLE TRAPS + LIMB (ADULT)

22 mm diameter tube, two limbs, 1.5 m length, two water traps, Y-piece, 4.3 mm Luer port on elbow, 7.3 mm Luer port on Y-piece, 0.8 m limb

Ref # 1122

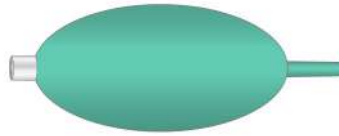
BREATHING SYSTEM WITH DOUBLE TRAPS + LIMB (PAEDIATRIC)

15 mm diameter tube, two limbs, 1.5 m length, two water traps, Y-piece, 4.3 mm Luer port on elbow, 7.3 mm Luer port on Y-piece, 0.8 m limb

Ref # 1260

D. ANAESTHESIA BREATHING SYSTEMS

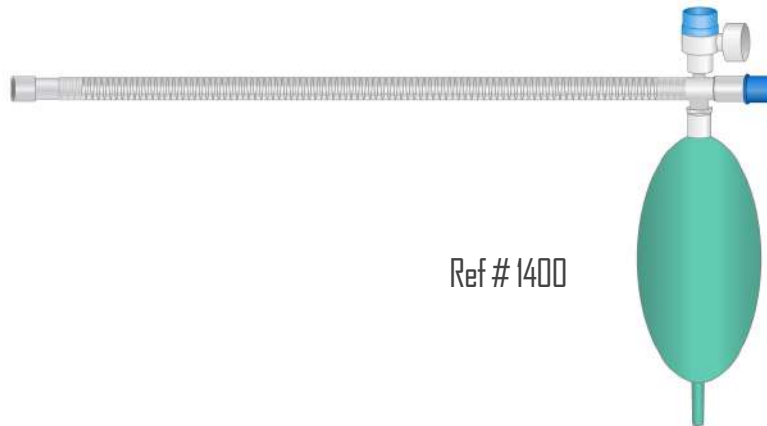
A variety of breathing systems for anaesthesia with various tube types and configurations.



Ref # 1300



Ref # 1305



Ref # 1400

STANDARD BREATHING SYSTEM + LIMB + BREATHING BAG (ADULT)

22 mm diameter tube, two limbs, 1.5 m length, Y-piece, 4.3 mm Luer port on elbow,
7.3 mm Luer port on Y-piece, 0.8 m limb and 2L breathing bag

Ref # 1300

COAXIAL BREATHING SYSTEM (ADULT)

30 mm diameter tube, one coaxial limb, 1.5 m length, 4.3 mm Luer port on elbow, 0.5 m limb

Ref # 1305

MAPELSON D (BAIN) COAXIAL BREATHING SYSTEM (ADULT)

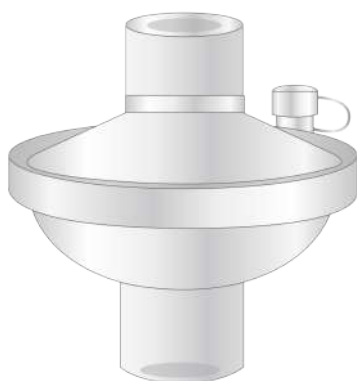
30 mm diameter tube, one coaxial limb, 1.5 m length, 4.3 mm Luer port on elbow,
2L breathing bag, APL valve

Ref # 1400

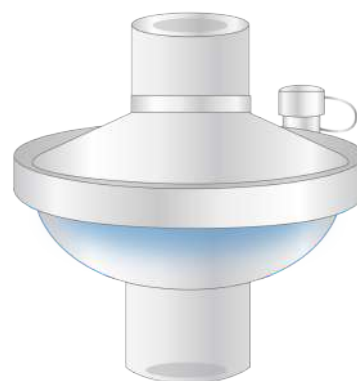
BREATHING FILTERS AND HMEFs

A range of breathing filters, heat and moisture exchangers (HME) and combined HMEF products for patient protection and humidification designed for use in anaesthesia and intensive care.

Ref # 2140/2240



Ref # 2120/2220



Ref # 2130/2230

BACTERIAL VIRAL FILTER (ADULT)

Luer-lock sampling port, 22F-22M/15F connections

Ref # 2120

BACTERIAL VIRAL FILTER (PAEDIATRIC)

Luer-lock sampling port, 15F/22M, 15M connections

Ref # 2220

HEAT AND MOISTURE EXCHANGER (ADULT)

Luer-lock sampling port, 22F-22M/15F connections

Ref # 2140

HEAT AND MOISTURE EXCHANGER (PAEDIATRIC)

Luer-lock sampling port, 15F/22M, 15M connections

Ref # 2240

HEAT AND MOISTURE EXCHANGER FILTER (ADULT)

Luer-lock sampling port, 22F-22M/15F connections

Ref # 2130

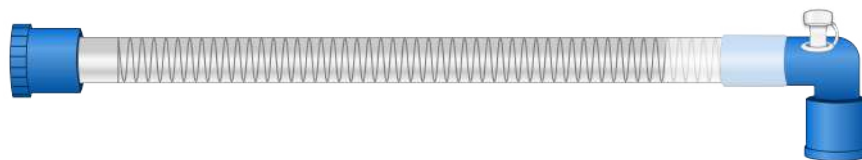
HEAT AND MOISTURE EXCHANGER FILTER (PAEDIATRIC)

Luer-lock sampling port, 15F/22M, 15M connections

Ref # 2230

FLEXIBLE CATHETER MOUNT

Flexible catheter mounts with a variety of elbow connections and ports for all applications. Available with or without Luer ports for secure attachment of gas sampling lines. All port caps are retainable for safety and fixed to the port connectors to ensure that they cannot be misplaced in use.



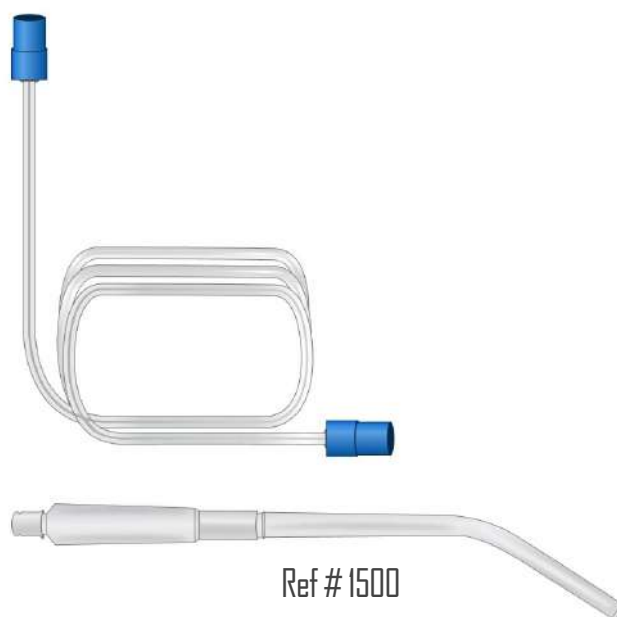
Ref # 4140/4120/4130

FLEXIBLE FIXED ELBOW CATHETER MOUNT

22F-22M/15F connections, 150 mm length tube	Ref # 4140
22F-22M/15F connections, 150 mm length tube, 4.3 mm Luer port	Ref # 4120
22F-22M/15F connections, 150 mm length tube, 7.6 mm Luer port	Ref # 4130

SUCTION

The suction set can be used for removal of fluids through a connection with an external source of suction. They include ergonomic transparent handles offers a firm grip along with kink resistant transparent tubing which makes draining visible.



Ref # 1500

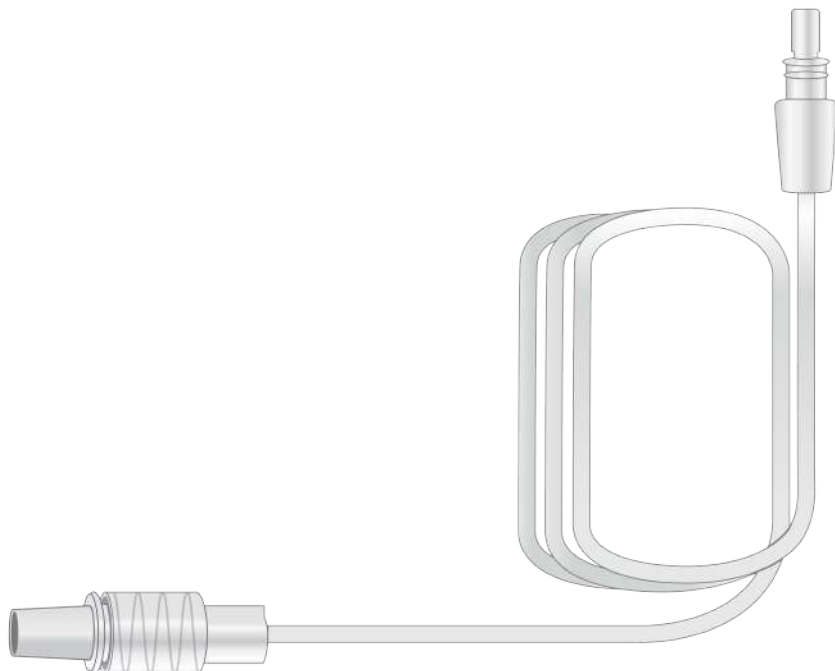
YANKAUER SUCTION SET

Sterile suction Yankauer with straight tip, 2 m tube

Ref # 1500

MONITORING LINES

Pressure monitoring line to observe the pressure to create a connection between the syringe infusion pump and the patient and to extend medical tubing. Various configurations of tube lengths and connectors are available. All tubing is kink resistant.



PRESSURE MONITORING LINE (MALE/FEMALE CONNECTORS)

10 cm	Ref # 1610B
15 cm	Ref # 1611B
30 cm	Ref # 1612B
50 cm	Ref # 1613B
100 cm	Ref # 1614B
150 cm	Ref # 1615B
200 cm	Ref # 1616B

PRESSURE MONITORING LINE (MALE/MALE CONNECTORS)

10 cm	Ref # 1610C
15 cm	Ref # 1611C
30 cm	Ref # 1612C
50 cm	Ref # 1613C
100 cm	Ref # 1614C
150 cm	Ref # 1615C
200 cm	Ref # 1616C

3-WAY STOPCOCK WITH EXTENSION LINE

3-way stopcock with extension line for use with infusion or transfusion apparatus. It also provides an alternative channel for the introduction of medication to the patient. They are made with high quality kink resistant tube has smooth inner surfaces ensures smooth fluid movement. Fitted with a three arm handle allows for smooth movement to change fluid direction for facilitating smooth and easy operations arrow mark indicating direction of flow..



3-WAY STOPCOCK WITH EXTENSION LINE

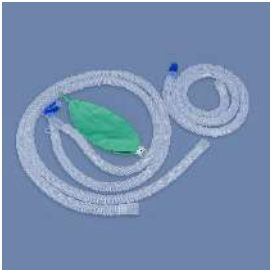
7 cm extension line	Ref # 1901
10 cm extension line	Ref # 1902
15 cm extension line	Ref # 1903
25 cm extension line	Ref # 1904
50 cm extension line	Ref # 1905
100 cm extension line	Ref # 1906
150 cm extension line	Ref # 1907
200 cm extension line	Ref # 1908

PRODUCT IMAGES

OXYGEN THERAPY



BREATHING SYSTEMS



BREATHING FILTERS & HMEFs



SUCTION



3-WAY STOPCOCK WITH EXTENSION LINE



FLEXIBLE CATHETER MOUNT



MONITORING LINES





LOCATIONS

 Bangalore, India
Ajman, United Arab Emirates

PHONE

 +91 9980 968 402

E-MAIL

 info@forca-healthcare.com

WEB

 www.forca-healthcare.com